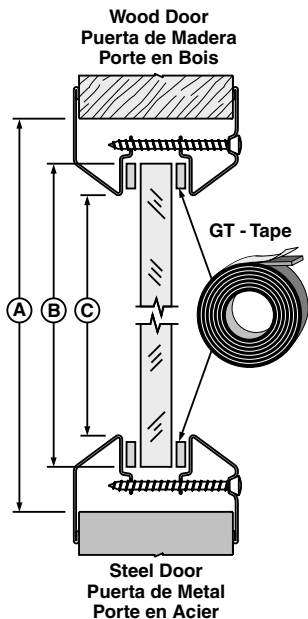
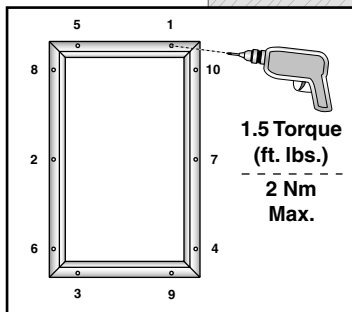
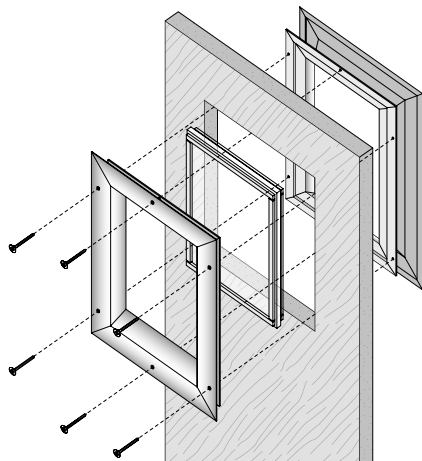


U.S. and NORTH AMERICA

UL-10C, 20/45/60/90/180 minutes



$$\textcircled{A} = \textcircled{B} + 1" = \textcircled{C} + 2"$$



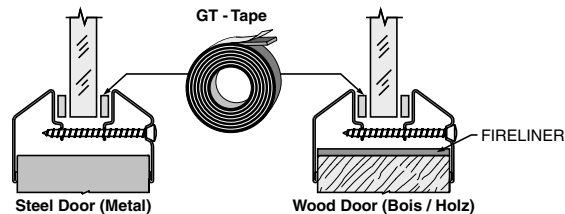
Please examine product for defects
Prior to Installation.

EUROPE

B.S. 476.22

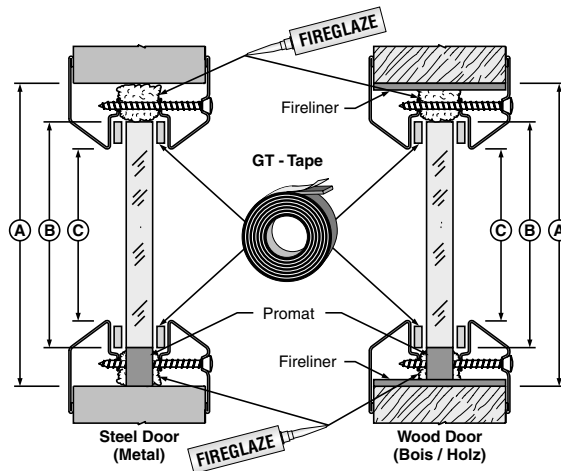
EN-1634.1, E & EW

INTEGRITY



EN-1634.1, EI 30, EI 60

INSULATION



$$\textcircled{A} = \textcircled{B} + 25\text{mm} = \textcircled{C} + 50\text{mm}$$